

## Product Information

**MFZ-KT R32 Floor Mounted System**  
Inverter Heat Pump

Making a  
World of  
Difference

M series



The **MFZ-KT Series** is extremely versatile and is designed for wall attached installation at floor level.

The auto swing vane provides a more natural and comfortable airflow throughout the room and the lightweight, compact design makes installation easy. To aid control and energy saving, the controller has an in built 7 day timeclock.

### Key Features

- Simple flat asymmetrical design that harmonises with all types of interiors
- Swing vane mode with autovane shutter
- Optimum air distribution through the use of three uniquely shaped vanes



# Air Conditioning

## Product Information

### MFZ-KT R32 Floor Mounted System Inverter Heat Pump

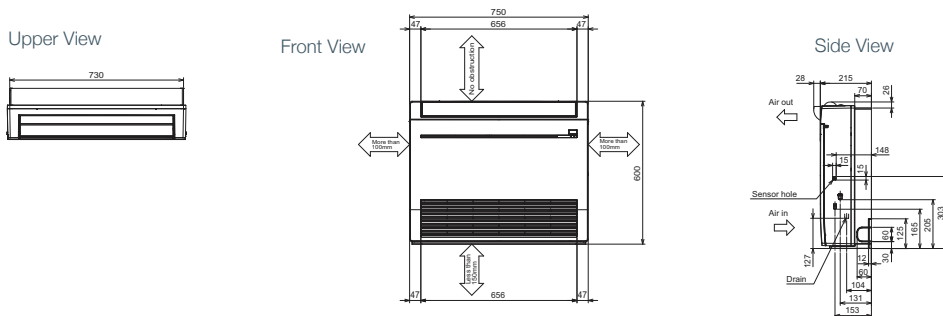
Making a  
World of  
Difference



| MFZ-KT - INDOOR UNITS           |                                       | MFZ-KT25VG                      | MFZ-KT35VG                      | MFZ-KT50VG                      |
|---------------------------------|---------------------------------------|---------------------------------|---------------------------------|---------------------------------|
| CAPACITY (kW)                   | Heating (nominal)                     | 3.4 (1.3-4.2)                   | 4.3 (1.1-5.0)                   | 6.0 (1.5-7.2)                   |
|                                 | Cooling (nominal)                     | 2.5 (1.6-3.2)                   | 3.5 (0.9-3.9)                   | 5.0 (1.2-5.6)                   |
|                                 | Heating (UK)                          | 2.79 (1.07-3.44)                | 3.53 (0.9-4.10)                 | 4.92 (1.23-5.90)                |
|                                 | Cooling (UK)                          | 2.45 (1.57-3.14)                | 3.43 (0.88-3.82)                | 4.90 (1.18-5.49)                |
| SHF (nominal)                   |                                       | 0.79                            | 0.7                             | 0.72                            |
| COP / EER (nominal)             |                                       | 3.74 / 4.03                     | 3.41 / 3.30                     | 3.23 / 3.23                     |
| SCOP / SEER (BS EN14825)        |                                       | 4.2 / 6.5                       | 4.4 / 6.6                       | 4.2 / 6.8                       |
| ErP ENERGY EFFICIENCY CLASS     | Heating/Cooling                       | A+ / A++                        | A+ / A++                        | A+ / A++                        |
| AIRFLOW (l/s)                   | Heating - Silent-Lo-Mi-Hi-SHi         | 58-67-93-122-162                | 58-67-93-122-162                | 100-128-157-193-233             |
|                                 | Cooling - Silent-Lo-Mi-Hi-SHi         | 65-80-108-130-148               | 65-80-108-130-148               | 93-112-143-173-205              |
| PIPE SIZE mm (in)               | Gas                                   | 9.52 (3/8")                     | 9.52 (3/8")                     | 12.7 (1/2")                     |
|                                 | Liquid                                | 6.35 (1/4")                     | 6.35 (1/4")                     | 6.35 (1/4")                     |
| SOUND PRESSURE LEVEL (dBA)      | Heating/Cooling - Silent-Lo-Mi-Hi-SHi | 19-23-30-37-44 / 19-24-31-37-41 | 19-23-30-37-44 / 19-24-31-37-41 | 29-35-40-44-49 / 28-32-37-42-48 |
| SOUND POWER LEVEL (dBA)         |                                       | 54                              | 54                              | 60                              |
| DIMENSIONS (mm)                 | Width x Depth x Height                | 750 x 215 x 600                 | 750 x 215 x 600                 | 750 x 215 x 600                 |
| WEIGHT (kg)                     |                                       | 14.5                            | 14.5                            | 15                              |
| ELECTRICAL SUPPLY               |                                       | Fed by Outdoor Unit             | Fed by Outdoor Unit             | Fed by Outdoor Unit             |
| FUSE RATING (BS88) - HRC (A)    |                                       | 6                               | 6                               | 6                               |
| INTERCONNECTING CABLE No. CORES |                                       | 4                               | 4                               | 4                               |

| SUZ-M - OUTDOOR UNITS  |                           | SUZ-M25VAR1     | SUZ-M35VAR1     | SUZ-M50VAR1      |
|--|---------------------------|-----------------|-----------------|------------------|
| SOUND PRESSURE LEVEL (dBA)   | Heating/Cooling           | 46 / 45         | 48 / 48         | 49 / 48          |
| SOUND POWER LEVEL (dBA)  | Cooling                   | 59              | 59              | 64               |
| WEIGHT (kg)  |                           | 30              | 35              | 41               |
| DIMENSIONS (mm)  | Width x Depth x Height    | 800 x 285 x 550 | 800 x 285 x 550 | 800 x 285 x 714  |
| ELECTRICAL SUPPLY  |                           | 220-240V, 50Hz  | 220-240V, 50Hz  | 220-240V, 50Hz   |
| PHASE  |                           | Single          | Single          | Single           |
| SYSTEM POWER INPUT (kW)  | Heating/Cooling (nominal) | 0.80 / 0.71     | 1.07 / 1.00     | 1.61 / 1.54      |
|  | Heating/Cooling (UK)      | 0.68 / 0.61     | 0.91 / 0.86     | 1.37 / 1.32      |
| STARTING CURRENT (A)   |                           | 3.7             | 5.0             | 8.0              |
| SYSTEM RUNNING CURRENT (A)   | Heating/Cooling [MAX]     | 3.7 / 3.0 [6.8] | 5.0 / 4.1 [8.5] | 8.0 / 7.1 [13.5] |
| FUSE RATING (BS88) - HRC (A)   |                           | 10              | 10              | 20               |
| MAINS CABLE No. CORES  |                           | 3               | 3               | 3                |
| MAX PIPE LENGTH (m)  |                           | 20              | 20              | 30               |
| MAX HEIGHT DIFFERENCE (m)  |                           | 12              | 12              | 30               |
| CHARGE REFRIGERANT (KG) / CO <sub>2</sub> EQUIVALENT (T) - R32 (GWP 675) - 7M    |                           | 0.65 / 0.44     | 0.90 / 0.61     | 1.20 / 0.81      |
| MAX ADDITIONAL REFRIGERANT (KG) / CO <sub>2</sub> EQUIVALENT (T) - R32 (GWP 675) |                           | 0.91 / 0.61     | 1.16 / 0.78     | 1.66 / 1.12      |

#### PRODUCT DIMENSIONS



Telephone: 01707 282880

email: air.conditioning@meuk.mee.com

web: airconditioning.mitsubishielectric.co.uk

UNITED KINGDOM Mitsubishi Electric Europe Living Environment Systems Division  
Travellers Lane, Hatfield, Hertfordshire, AL10 8XB, England General Enquiries Telephone: 01707 282880 Fax: 01707 278881

IRELAND Mitsubishi Electric Europe Westgate Business Park, Ballymount, Dublin 24, Ireland  
Telephone: Dublin (01) 419 8800 Fax: Dublin (01) 419 8890 International code: (003531)

Country of origin: United Kingdom - Japan - Thailand - Malaysia. ©Mitsubishi Electric Europe 2019. Mitsubishi and Mitsubishi Electric are trademarks of Mitsubishi Electric Europe B.V. The company reserves the right to make any variation in technical specification to the equipment described, or to withdraw or replace products without prior notification or public announcement. Mitsubishi Electric is constantly developing and improving its products. All descriptions, illustrations, drawings and specifications in this publication present only general particulars and shall not form part of any contract. All goods are supplied subject to the Company's General Conditions of Sale, a copy of which is available on request. Third-party product and brand names may be trademarks or registered trademarks of their respective owners.

**Note:** The fuse rating is for guidance only. Please refer to the relevant databook for detailed specification. It is the responsibility of a qualified electrician/electrical engineer to select the correct cable size and fuse rating based on current regulation and site specific conditions. Mitsubishi Electric's air conditioning equipment and heat pump systems contain a fluorinated greenhouse gas, R410A (GWP:2088), R32 (GWP:675), R407C (GWP:1774) or R134a (GWP:1430). These GWP values are based on Regulation (EU) No 517/2014 from IPCC 4th edition. In case of Regulation (EU) No.626/2011 from IPCC 3rd edition, these are as follows. R410A (GWP:1975), R32 (GWP: 550), R407C (GWP:1650) or R134a (GWP:1300).



[www.greengateway.mitsubishielectric.co.uk](http://www.greengateway.mitsubishielectric.co.uk)

Mitsubishi Electric UK's commitment to the environment

Follow us @meuk\_les  
Follow us @green\_gateway

Mitsubishi Electric  
Living Environmental Systems UK

[mitsubishielectric2](http://mitsubishielectric2)

[thehub.mitsubishielectric.co.uk](http://thehub.mitsubishielectric.co.uk)



Effective as of June 2019